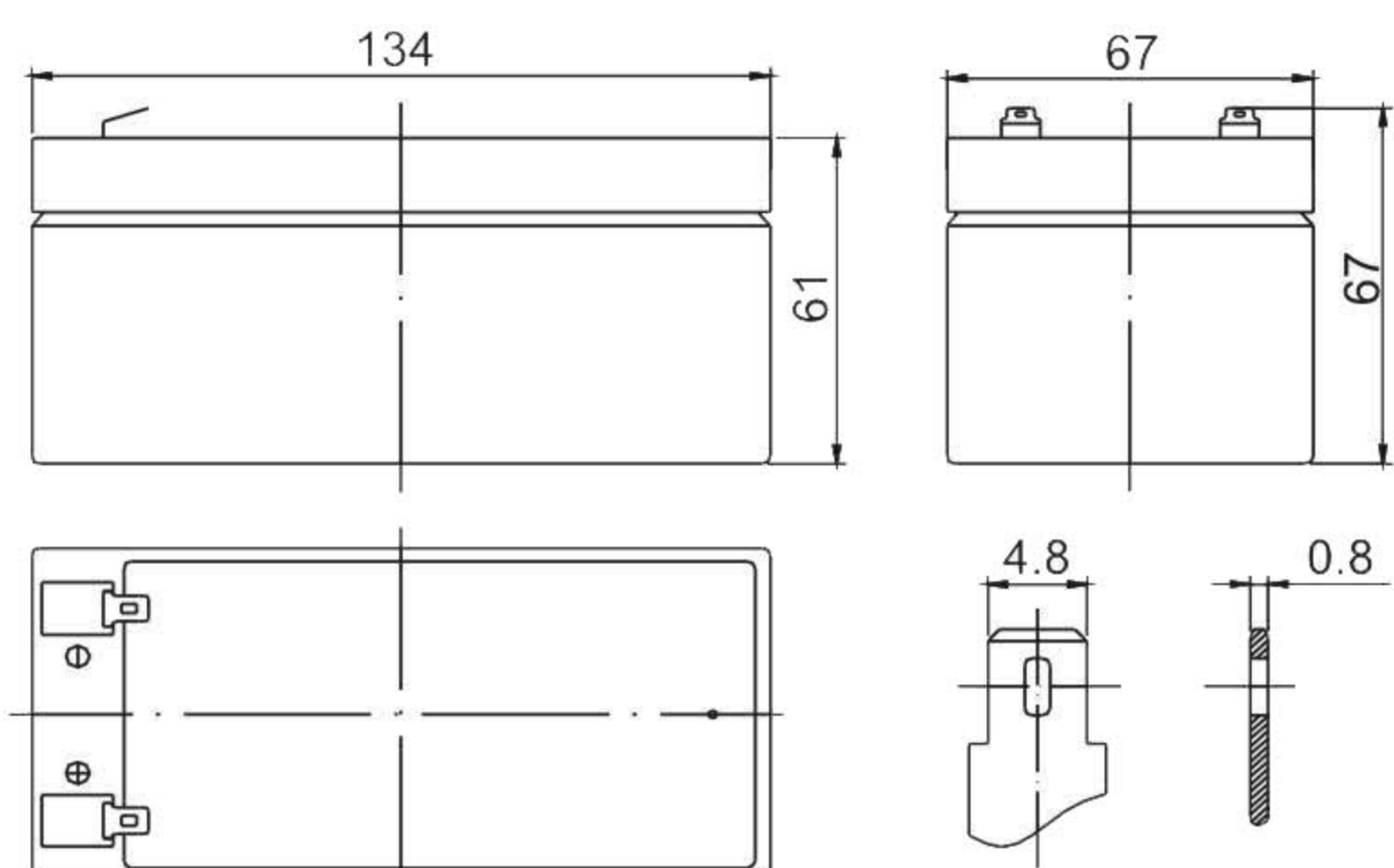


Dimension(mm)



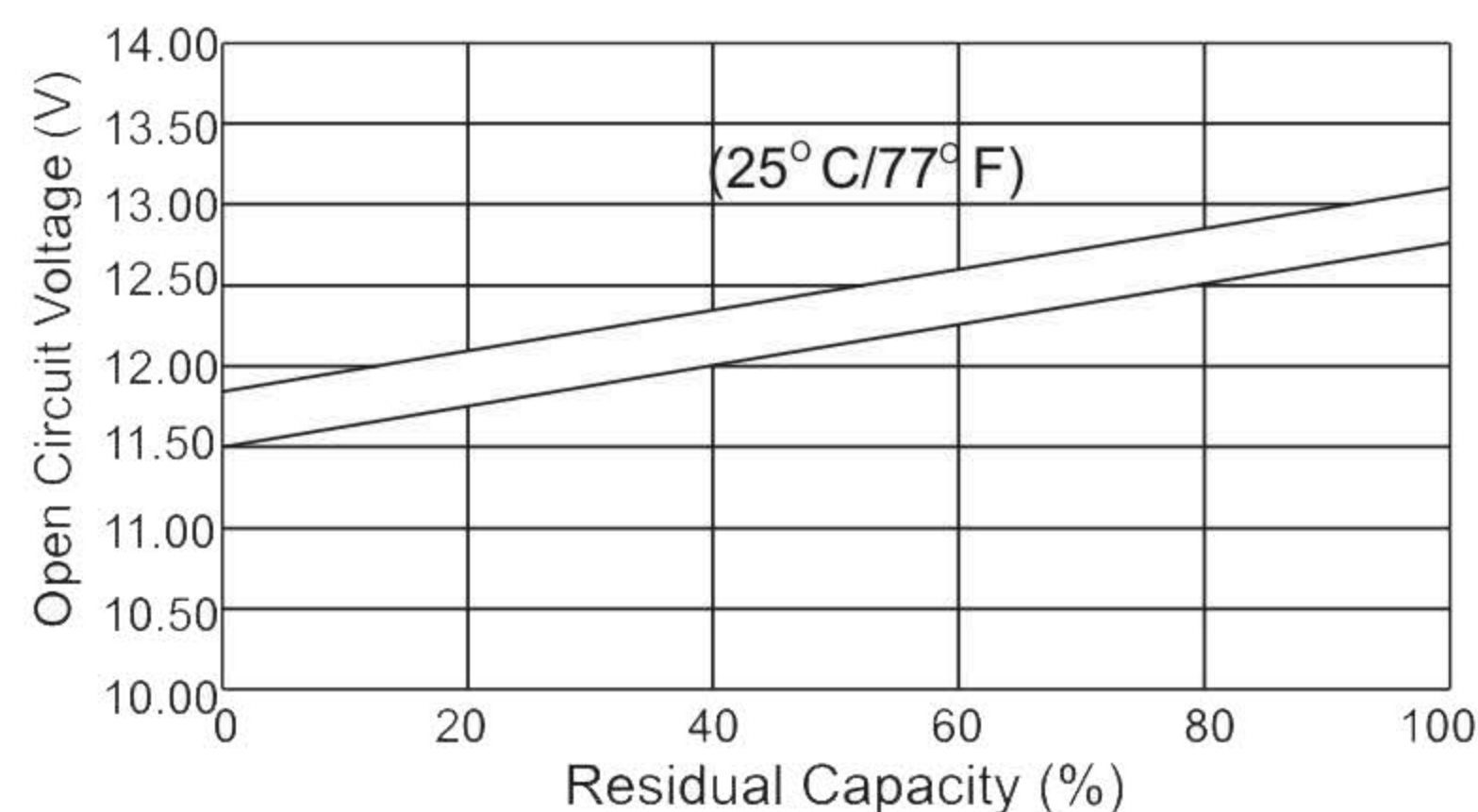
T1
Terminal



Specification

Nominal Voltage	12 V	
Capacity(20HR, 25°C)	3.3Ah	
Dimension	Length	134mm (5.28inch)
	Width	67mm (2.64inch)
	Height	61mm (2.40inch)
	Total Height	67mm (2.64inch)
Approx. Weight	1.36kg (3.00lbs)	

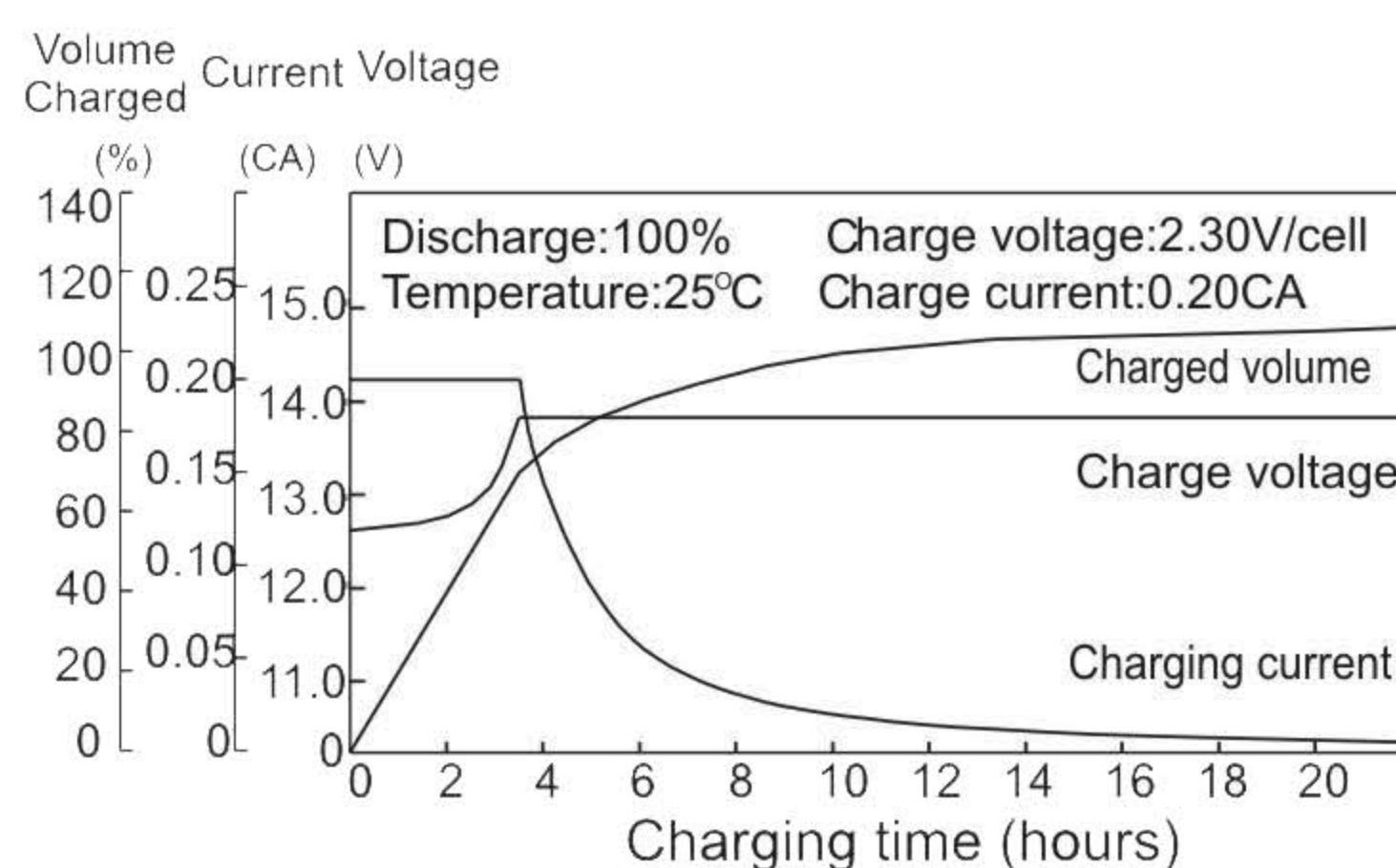
The Relationship for Open Circuit Voltage and Residual Capacity (25°C)



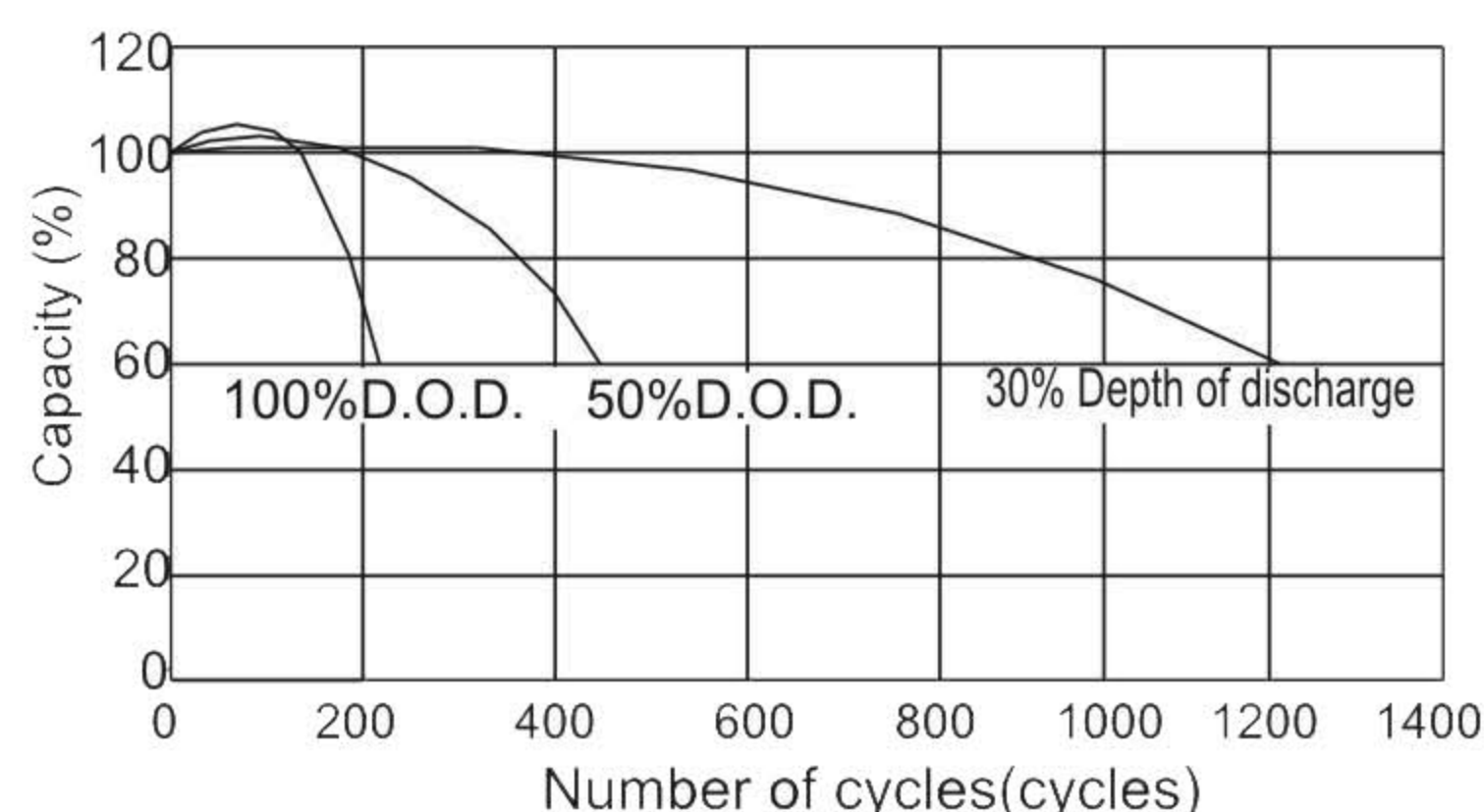
Characteristics

Capacity 20°C (68°F) To 1.70V/Cell	20 hour rate	3.4Ah
	10 hour rate	3.1Ah
	5 hour rate	2.9Ah
	1 hour rate	2.12Ah
	15 min rate	1.55Ah
Internal resistance(Fully charged, 25°C)		Approx. 45m Ω
Capacity affected by temperature (20HR)	40°C	102%
	25°C	100%
	0°C	85%
	-15°C	65%
Self-discharge (25°C)	3 month	Remaining Capacity: 91%
	6 month	Remaining Capacity: 82%
	12 month	Remaining Capacity: 65%
Nominal operating temperature	25°C ± 3°C (77°F ± 5°F)	
Operating temperature range	-15°C ~ 50°C (5°F ~ 122°F)	
Float charging voltage(25°C)	13.60 to 13.80V	
Cyclic charging voltage(25°C)	14.50 to 14.90V	
Maximum charging current	10.2 A	
Terminal material	Copper	
Maximum discharge current	51A(5 Sec.)	

Charging Characteristics(25°C)



Cycle Life(25°C)



Constant Current Discharge Characteristics (A, 25°C)

F.V/TIME	5min	10min	15min	30min	60min	3h	5h	10h	20h
9.60V	12.9	8.16	6.46	3.74	2.21	0.86	0.59	0.32	0.17
10.2V	12.3	7.75	6.20	3.59	2.12	0.85	0.58	0.31	0.17
10.8V	11.5	7.29	5.89	3.41	2.02	0.83	0.57	0.31	0.17

Constant Power Discharge Characteristics (Watt, 25°C)

5min	10min	15min	30min	60min	3h	5h	10h	20h
144	92.0	73.6	42.9	25.6	10.2	7.00	3.81	2.07
137	87.4	70.7	41.1	24.6	10.1	6.90	3.78	2.05
129	82.2	67.2	39.1	23.3	9.90	6.76	3.78	2.04