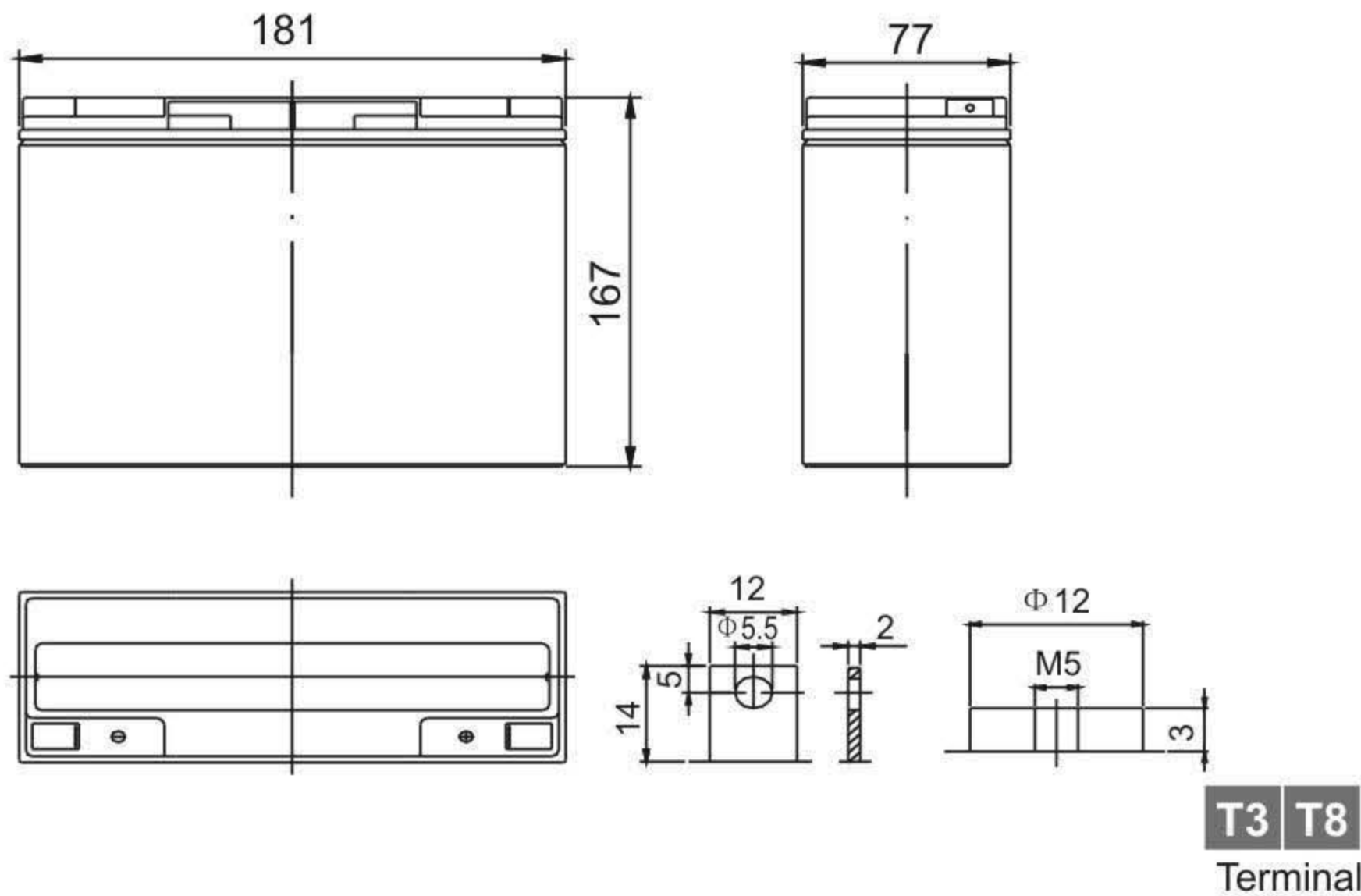


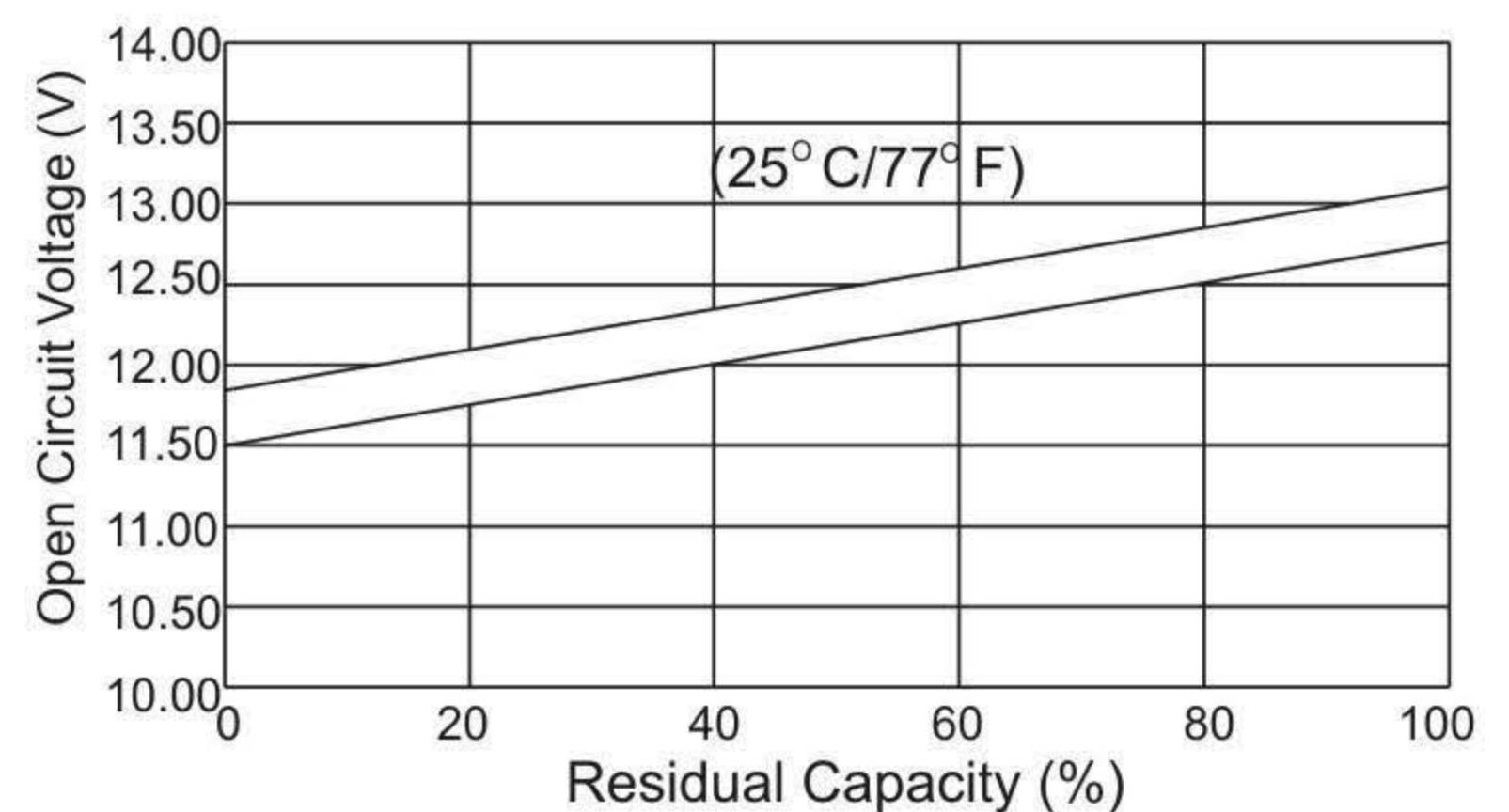
Dimension(mm)



Specification

| | | |
|----------------------|---------------------|---------------------------------|
| Nominal Voltage | | 12 V |
| Capacity(20HR, 25°C) | | 18Ah |
| Dimension | Length | 181mm (7.13inch) |
| | Width | 77mm (3.03inch) |
| | Height | 167mm (6.57inch) |
| | Total Height(T3/T8) | 167mm(6.57inch)/167mm(6.57inch) |
| Approx. Weight | | 5.35kg (11.7lbs) |

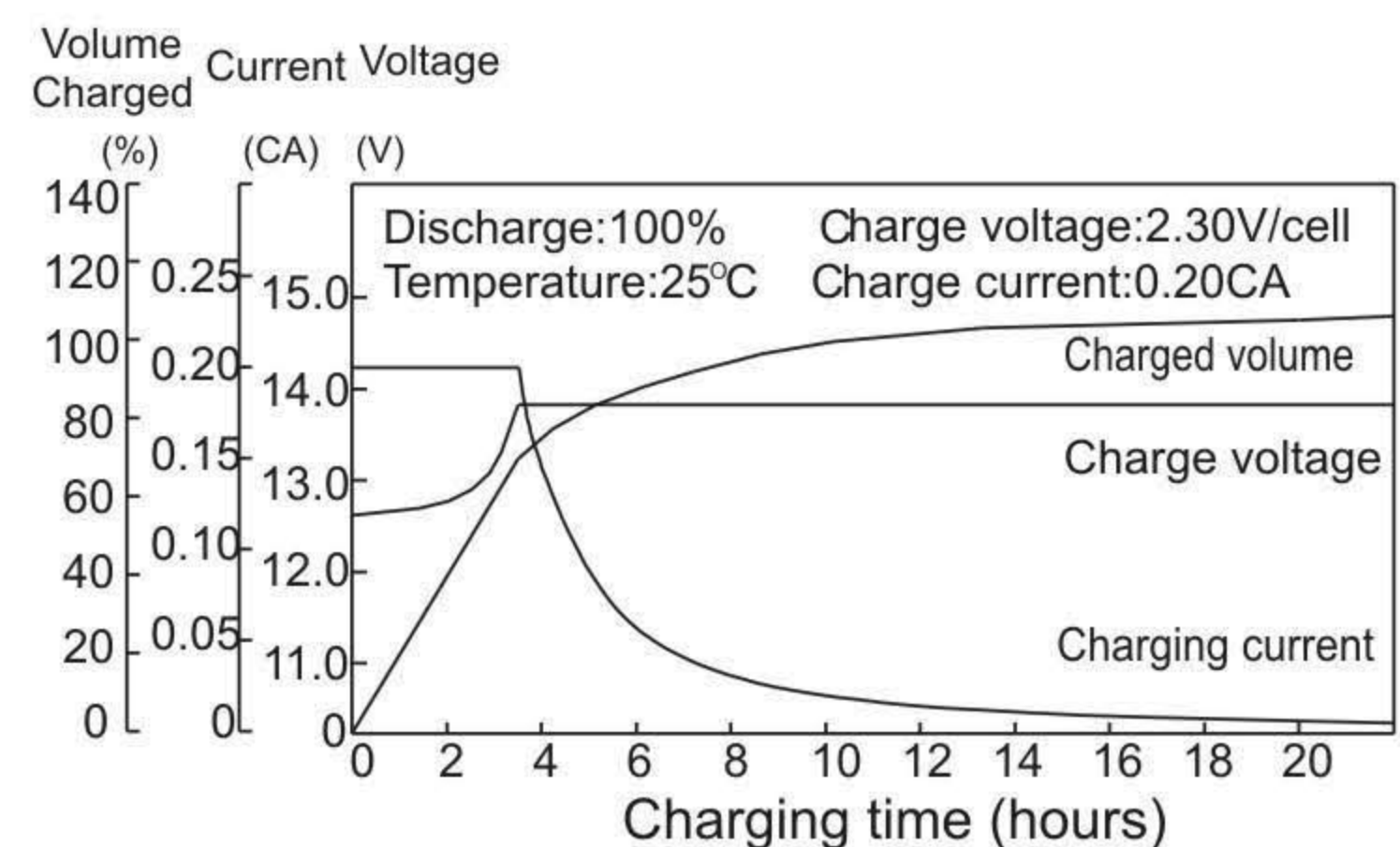
The Relationship for Open Circuit Voltage and Residual Capacity (25°C)



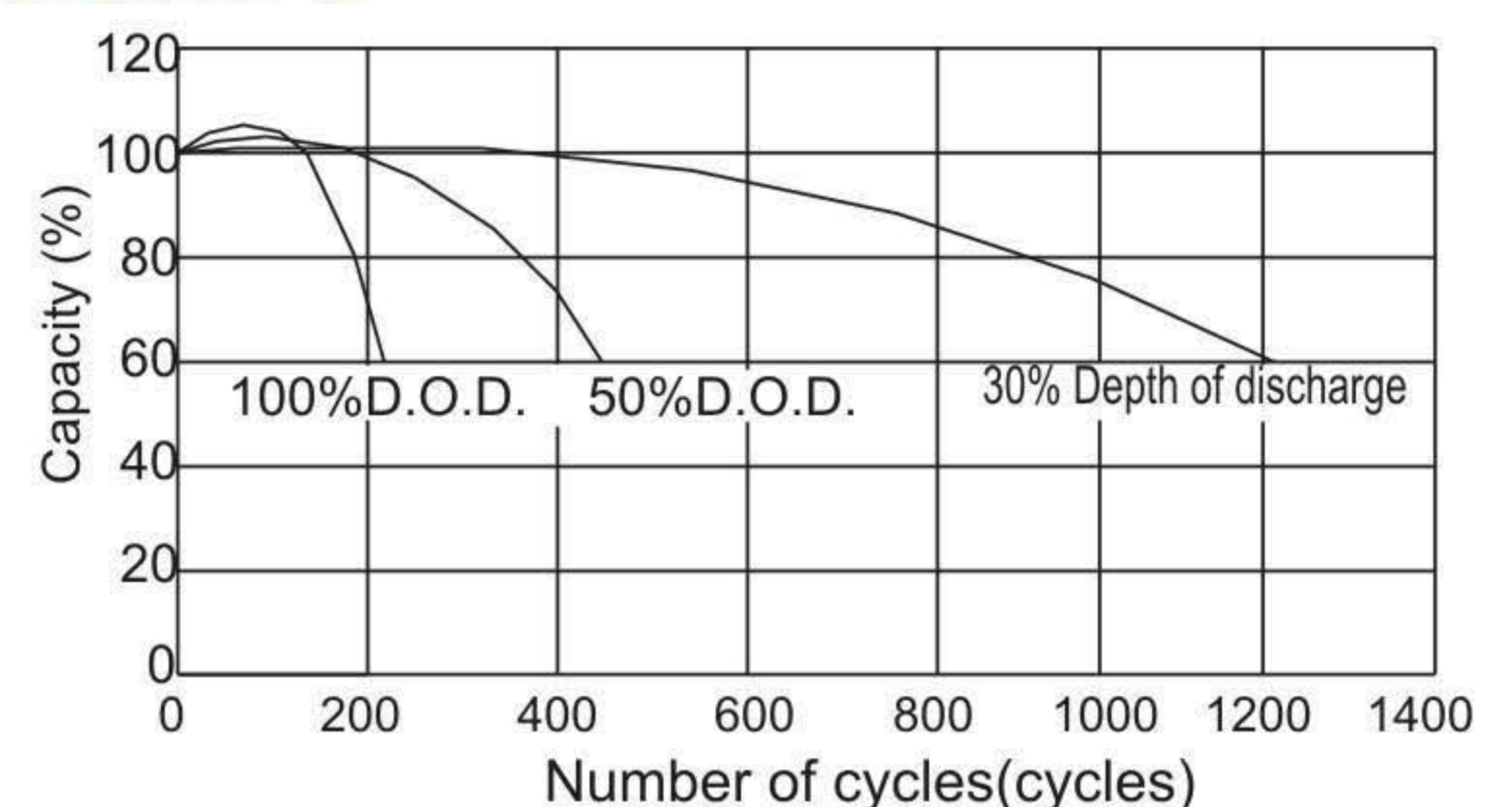
Characteristics

| | | |
|--|--------------|----------------------------|
| Capacity 20°C (68°F) To 1.70V/Cell | 20 hour rate | 18Ah |
| | 10 hour rate | 16.3Ah |
| | 5 hour rate | 14.4Ah |
| | 1 hour rate | 10.4Ah |
| | 15 min rate | 7.55Ah |
| Internal resistance(Fully charged, 25°C) | | Approx. 17m Ω |
| Capacity affected by temperature (20HR) | 40°C | 102% |
| | 25°C | 100% |
| | 0°C | 85% |
| | -15°C | 65% |
| Self-discharge (25°C) | 3 month | Remaining Capacity: 91% |
| | 6 month | Remaining Capacity: 82% |
| | 12 month | Remaining Capacity: 65% |
| Nominal operating temperature | | 25°C ± 3°C (77°F ± 5°F) |
| Operating temperature range | | -15°C ~ 50°C (5°F ~ 122°F) |
| Float charging voltage(25°C) | | 13.60 to 13.80V |
| Cyclic charging voltage(25°C) | | 14.50 to 14.90V |
| Maximum charging current | | 5.4A |
| Terminal material | | Copper |
| Maximum discharge current | | 270A(5 Sec.) |

Charging Characteristics(25°C)



Cycle Life(25°C)



Constant Current Discharge Characteristics (A, 25°C)

| F.V/TIME | 5min | 10min | 15min | 30min | 60min | 3h | 5h | 10h | 20h |
|----------|------|-------|-------|-------|-------|------|------|------|------|
| 9.60V | 63.0 | 39.6 | 31.5 | 18.9 | 10.8 | 4.38 | 2.92 | 1.64 | 0.91 |
| 10.2V | 59.9 | 37.6 | 30.2 | 18.1 | 10.4 | 4.32 | 2.88 | 1.63 | 0.91 |
| 10.8V | 56.3 | 35.4 | 28.7 | 17.2 | 9.85 | 4.23 | 2.82 | 1.62 | 0.90 |

Constant Power Discharge Characteristics (Watt, 25°C)

| | 5min | 10min | 15min | 30min | 60min | 3h | 5h | 10h | 20h |
|-----|------|-------|-------|-------|-------|------|------|------|-----|
| 703 | 447 | 359 | 217 | 125 | 52.1 | 34.9 | 19.7 | 11.0 | |
| 668 | 424 | 345 | 208 | 120 | 51.3 | 34.4 | 19.6 | 10.9 | |
| 628 | 399 | 327 | 198 | 114 | 50.3 | 33.7 | 19.6 | 10.8 | |